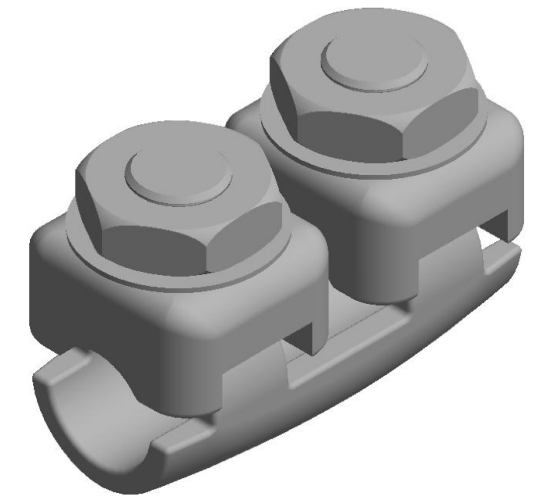
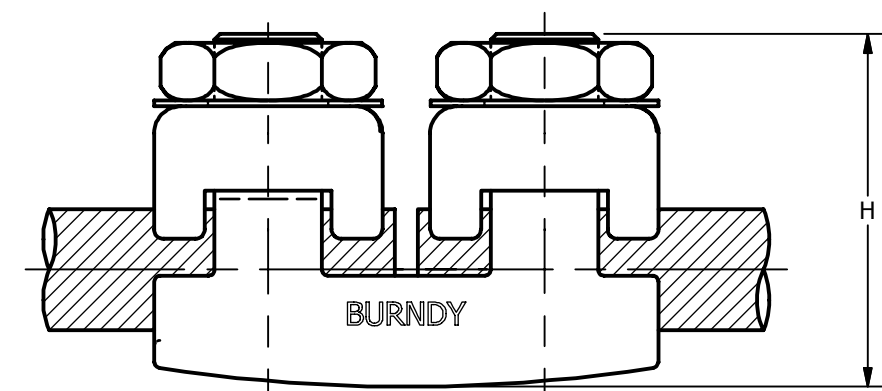
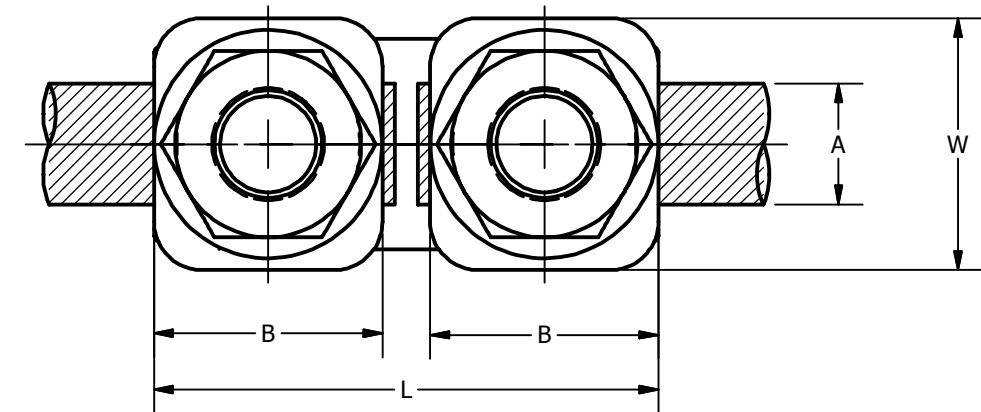


CATALOG NO.	CABLE RANGE EITHER SIDE		APPROX. SHIP. WT. IN LBS.	DIMENSIONS IN INCHES						TORQUE IN-LBS
	MIN.	MAX.		A		B	H	L	W	
				MIN.	MAX.					
QR8C	#14 SOL.	#8 STR	.13	.064	.146	3/4	13/16	1 11/16	5/8	75
QR4C	#6 SOL.	#4 STR	.13	.162	.232	3/4	13/16	1 11/16	5/8	110
QR1C	#4 STR	#1 STR	.20	.231	.330	7/8	1 1/16	1 15/16	11/16	150
QR26	1/0 STR	2/0 STR	.37	.373	.416	15/16	1 1/4	2 1/8	13/16	180
QR28	3/0 STR	4/0 STR	.39	.470	.528	1 1/16	1 3/8	2 3/8	1	250
QR31	250 kcmil	350 kcmil	.76	.575	.681	1 3/16	1 3/4	2 5/8	1 1/4	325
QR34	400 kcmil	500 kcmil	1.2	.728	.814	1 3/8	2 1/16	3 1/16	1 7/16	375
QR40	600 kcmil	800 kcmil	2.0	.855	1.031	1 5/8	2 1/2	3 5/8	1 3/4	500
QR44	850 kcmil	1000 kcmil	2.2	1.062	1.152	1 3/4	2 5/8	3 7/8	1 7/8	500
QR46	1100 kcmil	1500 kcmil	3.9	1.209	1.412	2	3 1/16	4 1/2	2 3/16	500
QR48	1600 kcmil	2000 kcmil	5.6	1.459	1.631	2 3/8	3 1/2	5 3/8	2 3/8	500

REV	DATE	DESCRIPTION	ECO	BY	C'HK.
A	03/29/2016	REDRAWN IN INVENTOR	43393	ARJ	MB



QIKLINK™  
TYPE QR  
FOR CABLE END TO END

NOTES:

1. THE QIKLINK IS RECOMMENDED FOR USE WHERE IT IS DESIRED TO ACCOMMODATE A RANGE OF CABLE SIZES ON END. A NEAT COMPACT JOINT THAT IS READILY TAPED IS MADE BY SIMPLY TIGHTENING THE TWO CLAMPING NUTS. MECHANICALLY, IT WILL WITHSTAND HEAVY WRENCH PRESSURE AND ELECTRICALLY, IT WILL REMAIN COOLER THAN THE CABLES UNDER OVERLOAD CONDITIONS.
2. MATERIAL - CAST COPPER ALLOY.
3. FOR COPPER CONDUCTOR ONLY.

TO ORDER BURNDY® PRODUCTS CALL		QIKLINK™	
1-800-346-4175 (LONDONDERRY, NH)		ITEM NO: --	
CANADA: 1-800-361-6975 (QUEBEC) 1-800-387-6487 (ALL OTHER PROVINCES)		CAT. NO: QR-- (SEE TABLE)	
FOR PRODUCT INFO: <a href="http://www.burndy.com">http://www.burndy.com</a>		DRAWN BY: ARJUN 03/29/2016	
		CHECKER: MANIKANDAN B 03/29/2016	
		DSN APRVL: T REYNOLDS 04/06/2016	
		MFG APRVL: T REYNOLDS 04/06/2016	
		QA APRVL: C KOWALCZYK 04/15/2016	
		MKT APRVL: M BAILLY 04/19/2016	
		PROJ #: --	
		SIZE: B	
		DRAWING NO: SA011559-01	
		REV: A	
		SHEET 1 OF 1	