

E4X / E6X MCB series

More complete  
More value



**EATON**

*Powering Business Worldwide*





# Energizing a world that demands more.

## We deliver:

- **Electrical solutions** that use less energy, improve power reliability and make the places we live and work safer and more comfortable
- **Hydraulic and electrical solutions** that enable machines to deliver more productivity without wasting power
- **Aerospace solutions** that make aircraft lighter, safer and less costly to operate, and help airports operate more efficiently
- **Vehicle drivetrain and powertrain solutions** that deliver more power to cars, trucks and buses, while reducing fuel consumption and emissions

## Discover today's Eaton.

## Powering business worldwide

As a global diversified power management company, we help customers worldwide manage the power needed for buildings, aircraft, trucks, cars, machinery and businesses.

Eaton's innovative technologies help customers manage electrical, hydraulic and mechanical power more reliably, efficiently, safely and sustainably.

We provide integrated solutions that help make energy, in all its forms, more practical and accessible.

With 2014 sales of \$22.6 billion, Eaton has approximately 102,000 employees around the world and sells products in more than 175 countries.



*Powering Business Worldwide*

# E4X / E6X MCB series

## New offer of Eaton power distribution LV components

1P



1P+N



2P



3P



Eaton is now introducing new MCB series: E4X and E6X, which have optimized design to fit the application requirement of residential and commercial buildings, as well as OEM customers. They are designed with more advantages on safety, reliability and flexibility to fit different kinds of applications.

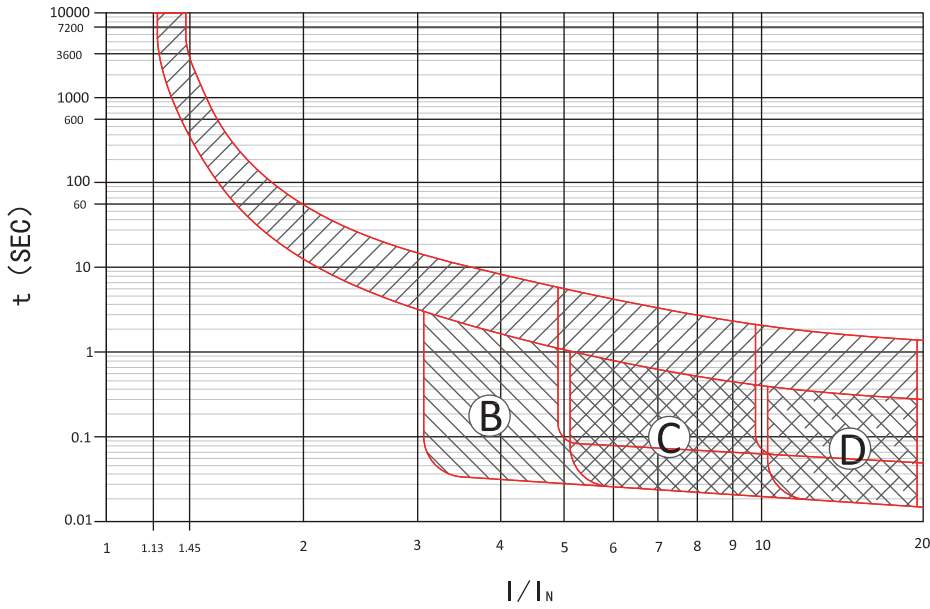
### Features and advantages

- Contact position indicator red - green. Easy for customer to determine internal status, which makes the system more safety;
- Distinguished arc extinguishing mechanism, which can isolate your fault points reliably;
- Highly compatible with existing Eaton MCB offer, which make it easy for customers to do replacement and no need of much change on the system;
- Both top and bottom terminals can be the power or load side, without impact on breaking capability.

### Specifications

	E4X	E6X
Maximum voltage ratings—IEC 60898	240/415Vac @ 50/60Hz	
Current range	6 - 63 A	
Tripping curves	B, C	B, C, D
Interrupt ratings (at max. voltage)	4.5 kA	6 kA
Wiring direction	Both top and bottom side can be the power/load side	
Pole configurations	1P, 1P+N, 2P, 3P	
Width	18mm/P	
Operating temperature range	-25 ~ +40°C	
Degree of protection	IP20 (Before installation); IP40 (After installation into consumer unit)	
Electrical lifespan	8000 operations 'ON+OFF'	
Mechanical lifespan	15000 operations 'ON+OFF'	
Terminal type	Wire or busbar, can't support 'wire + busbar' connection	
Terminal wiring capacity	1 ~ 25mm <sup>2</sup>	
Recommended busbar	6 - 32A: 10mm <sup>2</sup> ; 40 - 63A: 16mm <sup>2</sup>	
Maximum terminal torque	2.5N·m	
Standard	IEC 60898-1 / GB10963.1	

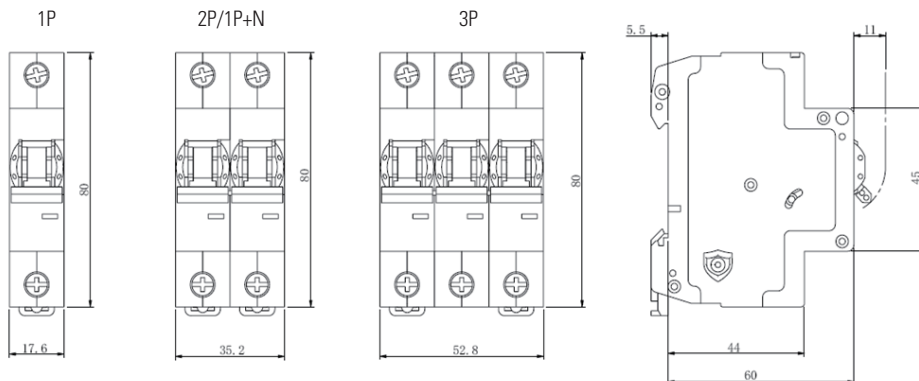
# Tripping characteristic



# Influence of ambient temperature

$I_n$ (A)	Temperature [°C]								
	-25	-20	-10	0	10	20	30	35	40
6	10.12	9.77	9.03	8.26	7.49	6.75	6	5.59	5.19
10	17.41	16.75	15.41	14.04	12.71	11.35	10	9.09	8.21
16	21.72	21.15	20.15	19.12	18.08	17.04	16	15.49	15.1
20	25.86	25.79	24.61	23.47	22.32	21.16	20	19.43	18.83
25	32.41	31.74	30.37	28.98	27.69	26.35	25	24.33	23.65
32	44.83	43.62	41.29	38.96	36.67	34.33	32	30.83	29.67
40	50.34	49.35	47.51	45.62	43.73	41.87	40	39.04	38.11
50	63.79	62.48	59.99	57.48	54.98	52.5	50	48.76	47.48
63	80	78.46	75.38	72.28	69.17	66.09	63	61.46	59.93

# Dimensions (unit: mm)



# Product list

## E4X, 4.5kA, B curve

Art. number	Part number	Part description
90000025000451	E4X-6/1/B	E4X 1P 4.5kA B 6A
90000025000452	E4X-10/1/B	E4X 1P 4.5kA B 10A
90000025000453	E4X-16/1/B	E4X 1P 4.5kA B 16A
90000025000454	E4X-20/1/B	E4X 1P 4.5kA B 20A
90000025000455	E4X-25/1/B	E4X 1P 4.5kA B 25A
90000025000456	E4X-32/1/B	E4X 1P 4.5kA B 32A
90000025000457	E4X-40/1/B	E4X 1P 4.5kA B 40A
90000025000458	E4X-50/1/B	E4X 1P 4.5kA B 50A
90000025000459	E4X-63/1/B	E4X 1P 4.5kA B 63A
90000025000460	E4X-6/1N/B	E4X 1P+N 4.5kA B 6A
90000025000461	E4X-10/1N/B	E4X 1P+N 4.5kA B 10A
90000025000462	E4X-16/1N/B	E4X 1P+N 4.5kA B 16A
90000025000463	E4X-20/1N/B	E4X 1P+N 4.5kA B 20A
90000025000464	E4X-25/1N/B	E4X 1P+N 4.5kA B 25A
90000025000465	E4X-32/1N/B	E4X 1P+N 4.5kA B 32A
90000025000466	E4X-40/1N/B	E4X 1P+N 4.5kA B 40A
90000025000467	E4X-50/1N/B	E4X 1P+N 4.5kA B 50A
90000025000468	E4X-63/1N/B	E4X 1P+N 4.5kA B 63A
90000025000469	E4X-6/2/B	E4X 2P 4.5kA B 6A
90000025000470	E4X-10/2/B	E4X 2P 4.5kA B 10A
90000025000471	E4X-16/2/B	E4X 2P 4.5kA B 16A
90000025000472	E4X-20/2/B	E4X 2P 4.5kA B 20A
90000025000473	E4X-25/2/B	E4X 2P 4.5kA B 25A
90000025000474	E4X-32/2/B	E4X 2P 4.5kA B 32A
90000025000475	E4X-40/2/B	E4X 2P 4.5kA B 40A
90000025000476	E4X-50/2/B	E4X 2P 4.5kA B 50A
90000025000477	E4X-63/2/B	E4X 2P 4.5kA B 63A
90000025000478	E4X-6/3/B	E4X 3P 4.5kA B 6A
90000025000479	E4X-10/3/B	E4X 3P 4.5kA B 10A
90000025000480	E4X-16/3/B	E4X 3P 4.5kA B 16A
90000025000481	E4X-20/3/B	E4X 3P 4.5kA B 20A
90000025000482	E4X-25/3/B	E4X 3P 4.5kA B 25A
90000025000483	E4X-32/3/B	E4X 3P 4.5kA B 32A
90000025000484	E4X-40/3/B	E4X 3P 4.5kA B 40A
90000025000485	E4X-50/3/B	E4X 3P 4.5kA B 50A
90000025000486	E4X-63/3/B	E4X 3P 4.5kA B 63A

## E6X, 6kA, B curve

Art. number	Part number	Part description
90000025000523	E6X-6/1/B	E6X 1P 6kA B 6A
90000025000524	E6X-10/1/B	E6X 1P 6kA B 10A
90000025000525	E6X-16/1/B	E6X 1P 6kA B 16A
90000025000526	E6X-20/1/B	E6X 1P 6kA B 20A
90000025000527	E6X-25/1/B	E6X 1P 6kA B 25A
90000025000528	E6X-32/1/B	E6X 1P 6kA B 32A
90000025000529	E6X-40/1/B	E6X 1P 6kA B 40A
90000025000530	E6X-50/1/B	E6X 1P 6kA B 50A
90000025000531	E6X-63/1/B	E6X 1P 6kA B 63A
90000025000532	E6X-6/1N/B	E6X 1P+N 6kA B 6A
90000025000533	E6X-10/1N/B	E6X 1P+N 6kA B 10A
90000025000534	E6X-16/1N/B	E6X 1P+N 6kA B 16A
90000025000535	E6X-20/1N/B	E6X 1P+N 6kA B 20A
90000025000536	E6X-25/1N/B	E6X 1P+N 6kA B 25A
90000025000537	E6X-32/1N/B	E6X 1P+N 6kA B 32A
90000025000538	E6X-40/1N/B	E6X 1P+N 6kA B 40A
90000025000539	E6X-50/1N/B	E6X 1P+N 6kA B 50A
90000025000540	E6X-63/1N/B	E6X 1P+N 6kA B 63A

## E4X, 4.5kA, C curve

Art. number	Part number	Part description
90000025000487	E4X-6/1/C	E4X 1P 4.5kA C 6A
90000025000488	E4X-10/1/C	E4X 1P 4.5kA C 10A
90000025000489	E4X-16/1/C	E4X 1P 4.5kA C 16A
90000025000490	E4X-20/1/C	E4X 1P 4.5kA C 20A
90000025000491	E4X-25/1/C	E4X 1P 4.5kA C 25A
90000025000492	E4X-32/1/C	E4X 1P 4.5kA C 32A
90000025000493	E4X-40/1/C	E4X 1P 4.5kA C 40A
90000025000494	E4X-50/1/C	E4X 1P 4.5kA C 50A
90000025000495	E4X-63/1/C	E4X 1P 4.5kA C 63A
90000025000496	E4X-6/1N/C	E4X 1P+N 4.5kA C 6A
90000025000497	E4X-10/1N/C	E4X 1P+N 4.5kA C 10A
90000025000498	E4X-16/1N/C	E4X 1P+N 4.5kA C 16A
90000025000499	E4X-20/1N/C	E4X 1P+N 4.5kA C 20A
90000025000500	E4X-25/1N/C	E4X 1P+N 4.5kA C 25A
90000025000501	E4X-32/1N/C	E4X 1P+N 4.5kA C 32A
90000025000502	E4X-40/1N/C	E4X 1P+N 4.5kA C 40A
90000025000503	E4X-50/1N/C	E4X 1P+N 4.5kA C 50A
90000025000504	E4X-63/1N/C	E4X 1P+N 4.5kA C 63A
90000025000505	E4X-6/2/C	E4X 2P 4.5kA C 6A
90000025000506	E4X-10/2/C	E4X 2P 4.5kA C 10A
90000025000507	E4X-16/2/C	E4X 2P 4.5kA C 16A
90000025000508	E4X-20/2/C	E4X 2P 4.5kA C 20A
90000025000509	E4X-25/2/C	E4X 2P 4.5kA C 25A
90000025000510	E4X-32/2/C	E4X 2P 4.5kA C 32A
90000025000511	E4X-40/2/C	E4X 2P 4.5kA C 40A
90000025000512	E4X-50/2/C	E4X 2P 4.5kA C 50A
90000025000513	E4X-63/2/C	E4X 2P 4.5kA C 63A
90000025000514	E4X-6/3/C	E4X 3P 4.5kA C 6A
90000025000515	E4X-10/3/C	E4X 3P 4.5kA C 10A
90000025000516	E4X-16/3/C	E4X 3P 4.5kA C 16A
90000025000517	E4X-20/3/C	E4X 3P 4.5kA C 20A
90000025000518	E4X-25/3/C	E4X 3P 4.5kA C 25A
90000025000519	E4X-32/3/C	E4X 3P 4.5kA C 32A
90000025000520	E4X-40/3/C	E4X 3P 4.5kA C 40A
90000025000521	E4X-50/3/C	E4X 3P 4.5kA C 50A
90000025000522	E4X-63/3/C	E4X 3P 4.5kA C 63A

## E6X, 6kA, B curve, continued

Art. number	Part number	Part description
90000025000541	E6X-6/2/B	E6X 2P 6kA B 6A
90000025000542	E6X-10/2/B	E6X 2P 6kA B 10A
90000025000543	E6X-16/2/B	E6X 2P 6kA B 16A
90000025000544	E6X-20/2/B	E6X 2P 6kA B 20A
90000025000545	E6X-25/2/B	E6X 2P 6kA B 25A
90000025000546	E6X-32/2/B	E6X 2P 6kA B 32A
90000025000547	E6X-40/2/B	E6X 2P 6kA B 40A
90000025000548	E6X-50/2/B	E6X 2P 6kA B 50A
90000025000549	E6X-63/2/B	E6X 2P 6kA B 63A
90000025000550	E6X-6/3/B	E6X 3P 6kA B 6A
90000025000551	E6X-10/3/B	E6X 3P 6kA B 10A
90000025000552	E6X-16/3/B	E6X 3P 6kA B 16A
90000025000553	E6X-20/3/B	E6X 3P 6kA B 20A
90000025000554	E6X-25/3/B	E6X 3P 6kA B 25A
90000025000555	E6X-32/3/B	E6X 3P 6kA B 32A
90000025000556	E6X-40/3/B	E6X 3P 6kA B 40A
90000025000557	E6X-50/3/B	E6X 3P 6kA B 50A
90000025000558	E6X-63/3/B	E6X 3P 6kA B 63A



# Product list

## E6X, 6kA, C curve

Art. number	Part number	Part description
90000025000559	E6X-6/1/C	E6X 1P 6kA C 6A
90000025000560	E6X-10/1/C	E6X 1P 6kA C 10A
90000025000561	E6X-16/1/C	E6X 1P 6kA C 16A
90000025000562	E6X-20/1/C	E6X 1P 6kA C 20A
90000025000563	E6X-25/1/C	E6X 1P 6kA C 25A
90000025000564	E6X-32/1/C	E6X 1P 6kA C 32A
90000025000565	E6X-40/1/C	E6X 1P 6kA C 40A
90000025000566	E6X-50/1/C	E6X 1P 6kA C 50A
90000025000567	E6X-63/1/C	E6X 1P 6kA C 63A
90000025000568	E6X-6/1N/C	E6X 1P+N 6kA C 6A
90000025000569	E6X-10/1N/C	E6X 1P+N 6kA C 10A
90000025000570	E6X-16/1N/C	E6X 1P+N 6kA C 16A
90000025000571	E6X-20/1N/C	E6X 1P+N 6kA C 20A
90000025000572	E6X-25/1N/C	E6X 1P+N 6kA C 25A
90000025000573	E6X-32/1N/C	E6X 1P+N 6kA C 32A
90000025000574	E6X-40/1N/C	E6X 1P+N 6kA C 40A
90000025000575	E6X-50/1N/C	E6X 1P+N 6kA C 50A
90000025000576	E6X-63/1N/C	E6X 1P+N 6kA C 63A
90000025000577	E6X-6/2/C	E6X 2P 6kA C 6A
90000025000578	E6X-10/2/C	E6X 2P 6kA C 10A
90000025000579	E6X-16/2/C	E6X 2P 6kA C 16A
90000025000580	E6X-20/2/C	E6X 2P 6kA C 20A
90000025000581	E6X-25/2/C	E6X 2P 6kA C 25A
90000025000582	E6X-32/2/C	E6X 2P 6kA C 32A
90000025000583	E6X-40/2/C	E6X 2P 6kA C 40A
90000025000584	E6X-50/2/C	E6X 2P 6kA C 50A
90000025000585	E6X-63/2/C	E6X 2P 6kA C 63A
90000025000586	E6X-6/3/C	E6X 3P 6kA C 6A
90000025000587	E6X-10/3/C	E6X 3P 6kA C 10A
90000025000588	E6X-16/3/C	E6X 3P 6kA C 16A
90000025000589	E6X-20/3/C	E6X 3P 6kA C 20A
90000025000590	E6X-25/3/C	E6X 3P 6kA C 25A
90000025000591	E6X-32/3/C	E6X 3P 6kA C 32A
90000025000592	E6X-40/3/C	E6X 3P 6kA C 40A
90000025000593	E6X-50/3/C	E6X 3P 6kA C 50A
90000025000594	E6X-63/3/C	E6X 3P 6kA C 63A

## E6X, 6kA, D curve

Art. number	Part number	Part description
90000025000595	E6X-6/1/D	E6X 1P 6kA D 6A
90000025000596	E6X-10/1/D	E6X 1P 6kA D 10A
90000025000597	E6X-16/1/D	E6X 1P 6kA D 16A
90000025000598	E6X-20/1/D	E6X 1P 6kA D 20A
90000025000599	E6X-25/1/D	E6X 1P 6kA D 25A
90000025000600	E6X-32/1/D	E6X 1P 6kA D 32A
90000025000601	E6X-40/1/D	E6X 1P 6kA D 40A
90000025000602	E6X-50/1/D	E6X 1P 6kA D 50A
90000025000603	E6X-63/1/D	E6X 1P 6kA D 63A
90000025000604	E6X-6/1N/D	E6X 1P+N 6kA D 6A
90000025000605	E6X-10/1N/D	E6X 1P+N 6kA D 10A
90000025000606	E6X-16/1N/D	E6X 1P+N 6kA D 16A
90000025000607	E6X-20/1N/D	E6X 1P+N 6kA D 20A
90000025000608	E6X-25/1N/D	E6X 1P+N 6kA D 25A
90000025000609	E6X-32/1N/D	E6X 1P+N 6kA D 32A
90000025000610	E6X-40/1N/D	E6X 1P+N 6kA D 40A
90000025000611	E6X-50/1N/D	E6X 1P+N 6kA D 50A
90000025000612	E6X-63/1N/D	E6X 1P+N 6kA D 63A
90000025000613	E6X-6/2/D	E6X 2P 6kA D 6A
90000025000614	E6X-10/2/D	E6X 2P 6kA D 10A
90000025000615	E6X-16/2/D	E6X 2P 6kA D 16A
90000025000616	E6X-20/2/D	E6X 2P 6kA D 20A
90000025000617	E6X-25/2/D	E6X 2P 6kA D 25A
90000025000618	E6X-32/2/D	E6X 2P 6kA D 32A
90000025000619	E6X-40/2/D	E6X 2P 6kA D 40A
90000025000620	E6X-50/2/D	E6X 2P 6kA D 50A
90000025000621	E6X-63/2/D	E6X 2P 6kA D 63A
90000025000622	E6X-6/3/D	E6X 3P 6kA D 6A
90000025000623	E6X-10/3/D	E6X 3P 6kA D 10A
90000025000624	E6X-16/3/D	E6X 3P 6kA D 16A
90000025000625	E6X-20/3/D	E6X 3P 6kA D 20A
90000025000626	E6X-25/3/D	E6X 3P 6kA D 25A
90000025000627	E6X-32/3/D	E6X 3P 6kA D 32A
90000025000628	E6X-40/3/D	E6X 3P 6kA D 40A
90000025000629	E6X-50/3/D	E6X 3P 6kA D 50A
90000025000630	E6X-63/3/D	E6X 3P 6kA D 63A

Eaton is a power management company with 2013 sales of \$22.0 billion. Eaton provides energy-efficient solutions that help our customers effectively manage electrical, hydraulic and mechanical power more efficiently, safely and sustainably. Eaton has approximately 100,000 employees and sells products to customers in more than 175 countries. For more information, visit [www.eaton.com/seasia-electrical](http://www.eaton.com/seasia-electrical).

**Electrical Sector Asia Pacific**  
No.3, Lane 280, Linhong Road,  
Changning District, Shanghai

Eaton Industries Pte Ltd  
Electrical Sector  
4 Loyang Lane #04-01/02  
Singapore 508914

© 2015 Eaton Corporation  
All Rights Reserved  
Printed in Singapore  
E4X/E6X (03-2015)

Eaton is a registered trademark  
of Eaton Corporation.

All trademarks are property of their  
respective owners.